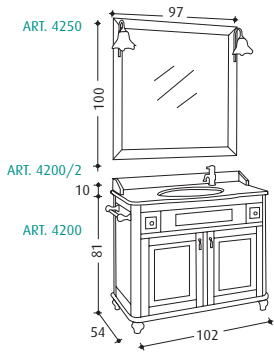
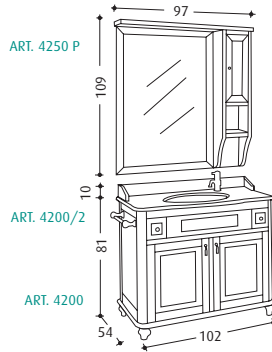


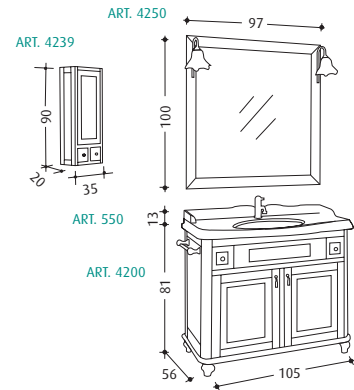
COMPOSIZIONE 1



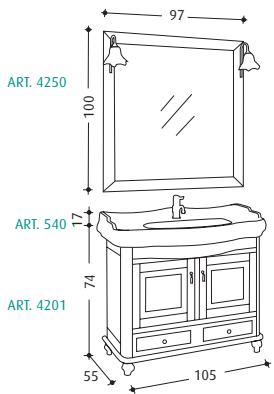
COMPOSIZIONE 2



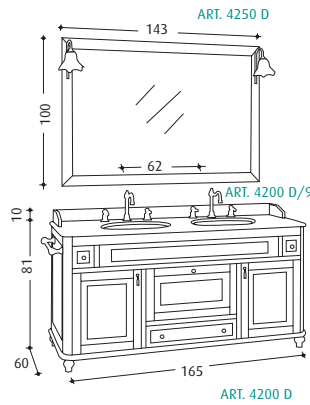
COMPOSIZIONE 3



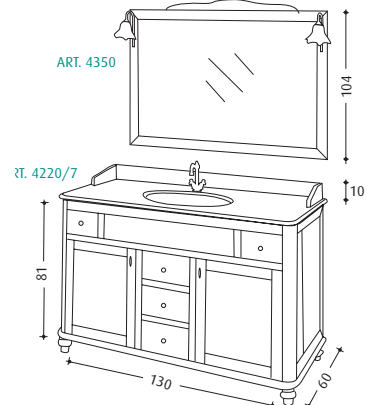
COMPOSIZIONE 4



COMPOSIZIONE 5



COMPOSIZIONE 8



ACCESSORI

ART. 540
Top in ceramica cm 105x55
Ceramic top cm 105x55
Top en porcelaine cm 105x55

ART. 550
Top in ceramica cm 105x56
Ceramic top cm 105x56
Top en porcelaine cm 105x56

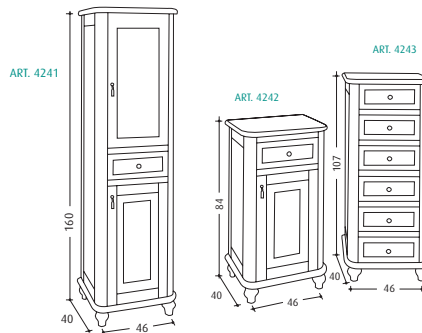
ART. 4200
Base con 1 portasalvietta cm 101x52,5x81
Vanity unit with 1 towel rail cm 101x52,5x81
Base avec 1 porte serviette cm 101x52,5x81

ART. 4200/2
Marmo Bianco Carrara cm 102x54
Marble Bianco Carrara cm 102x54
Marbre Bianco Carrara cm 102x54

ART. 4200D
Base doppia con 2 portasalviette cm 162x58x81
Double vanity unit with 2 towel rail cm 162x58x81
Base double avec 2 porte serviette cm 162x58x81

ART. 4200D/4
Marmo Travertino Stuccato cm 165x60
Marble Travertino Stuccato cm 165x60
Marbre Travertino Stuccato cm 165x60

ART. 4201
Base cm 96x49x74
Vanity unit cm 96x49x74
Base cm 96x49x74



ART. 4220
Base con 2 portasalviette cm 129x81x60
Vanity unit with 2 towel rail cm 129x81x60
Base avec 2 porteserviette cm 129x81x60

ART. 4220/7
Marmo giallo atlantide cm 130x60
Marble giallo atlantide cm 130x60
Marbre giallo atlantide cm 130x60

ART. 4239
Hensile cm 35x90x20
Hanging cabinet cm 35x90x20
Armoire suspendu cm 35x90x20

ART. 4241
Colonna cm 46x160x40
Column cm 46x160x40
Colonne cm 46x160x40

ART. 4242
Comodino cm 46x40x84
Vanity unit cm 46x40x84
Base cm 46x40x84

ART. 4243
Colonna a 6 cassetti cm 46x40x107
Colukn with 6 drawerst cm 46x40x107
Colonne avec 6 tiroirs cm 46x40x107

ART. 4250D
Specchio con appliques cm 143x100
Mirror with lamps cm 143x100
Miroir avec appliques cm 143x100

ART. 4250
Specchio con appliques cm 97x100
Mirror with lamps cm 97x100
Miroir avec appliques cm 97x100

ART. 4250P
Specchio con pensile cm 97x100
Mirror with wall cabinet cm 97x100
Miroir avec armoire cm 97x100

ART. 4350
Specchio con appliques cm 123x107
Mirror with lamps cm 123x107
Miroir avec appliques cm 123x107